

SINGER
220U2,U3

3174

3174

Form U3174 (1180)
Part No. 543197-002

MACHINE PARTS CHART for SINGER*

220 U2
220 U3

From the library of: Diamond Needle Corp

* A Trademark of THE SINGER COMPANY
Copyright © 1980 THE SINGER COMPANY
All Rights Reserved Throughout the World

NUMERICAL LIST OF PARTS FOR MACHINE 220U2

PART NO.	DESCRIPTION	PART NO.	DESCRIPTION
691-845	Throat Plate Screw (2)	505649	Presser Bar Bushing (lower)
2101	Tension Disc (2)	540406	Arm Shaft (horizontal) Flanged Bushing (front)
11170	Presser Bar Spring Washer	540435	Feed Regulating Dial Lock Pin
12431-452	Bed Slide	540476	Thread Take-up Crank Wearing Plate
16380	Oil Removing Lint Screen	540524	Needle Bar Bushing (lower)
32758	Thread Take-up Spring	540528	Needle Bar Bushing (lower) Felt
52033-452	Throat Plate (small needle hole)	540533	Thread Take-up Spring Regulator O-ring
52130	Thread Take-up Lever Thread Eyelet Bushing	540534	Thread Take-up Spring Regulator Rubber Cap
52239	Arm Spool Pin and Thread Eyelet	540549	Thread Guard (side of arm)
52454	Thread Retainer	540617	Bell Crank Complete
55623	Rotating Hook Bobbin	540619-003	Face Plate with 546925, 544875 and 544782
99665	Presser Bar (hollow)	540639	Feed Reverse Lever Spring
143042	Rotating Hook Shaft Oil Filter Wick (felt)	540641	Feed Reverse Lever Spring Retainer
143058	Needle Bar Connecting Stud Slide Block	540660	Needle Bar Connecting Link
146610	Presser Bar Lifting Lever Spring	540662	Needle Bar Connecting Link Roller Bearing
149031	Feed Dog, 19 teeth (22 teeth to the inch)	540662	Thread Take-up Lever Roller Bearing
149111	Face Plate Plug	540663	Needle Bar Thread Guard
154781	Thread Take-up Spring Regulator Set Screw	540670	Presser Bar Lifting Lever Link
154789	Bed Slide Spring Screw (2)	540676	Thread Take-up Lever with 52130
154884	Bed Slide Spring	540677	Thread Take-up Crank
154981	Feed Connecting Link Screw Stud Nut	540682	Tension Spring
409213	Bobbin Winder Spindle Thread Guard Wave Washer	540684	Tension Releasing Pin
410026	Rotating Hook Bobbin Case Latch	540702	Needle Bar (hollow) with 504112
410027	Rotating Hook Bobbin Case Latch Lever	540703	Needle Bar Bushing (upper) Felt
410710	Oil Removing Piston Spring	540706	Arm Shaft (horizontal) Flanged Bushing (back)
410744	Bobbin Winder Spindle Thread Guard	540707	Arm Shaft (horizontal) Flanged Bushing (back) Oil Seal
410772	Oil Tube (arm shaft)	540708	Arm Shaft (horizontal) Flanged Bushing (back) Ring
410773	Oil Tube (rotating hook shaft)	540714	Oil Removing Tube Retaining Spring
504002	Thread Take-up Lever Link Hinge Stud Set Screw	540720	Arm Shaft (horizontal) Flanged Bushing (front)
504002	Arm Shaft (horizontal) Flanged Bushing (front) Set Screw	540722	540406 with 540722
504002	Arm Shaft (horizontal) Bushing (center) Set Screw	540733	Arm Shaft (horizontal) Flanged Bushing (front)
504002	Arm Shaft (horizontal) Flanged Bushing (back) Set Screw	540738	Oil Drain Tube Tape
504002	Rotating Hook Shaft Bushing (back) Set Screw	540767	Arm Side Shield
504002	Rotating Hook Shaft Bushing (front) Set Screw	540771	Rotating Hook Bobbin Case Tension Spring
504007	Feed Rock Shaft Collar Set Screw (2)	541164-001	Needle Bar Bushing (lower) Thread Eyelet
504007	Feed Lifting Rock Shaft Collar Set Screw (4)	541170	Oil Pump (centrifugal) Bracket Screw Nut (3)
504010-451	Arm Side Shield Screw	542354	Bobbin Winder Tension Nut
504010-451	Thread Take-up Lever Guard Screw	543334	Bobbin Winder Stopper Snap Ring
504010-451	Thread Take-up Lever Oil Guard Screw	543363	Oil Tube Clamp
504025	Bell Crank Bracket Set Screw (2)	543365	Oil Wick Holder and Pipe
504047	Tension Stud Set Screw	543367	Oil Wick Holder Complete Nos. 543363, 545051 and two 545909
504051	Feed Dog Screw (2)	543368	Thread Take-up Lever Link
504063	Presser Foot Screw	543368	Thread Take-up Lever Link Hinge Stud
504066	Arm Shaft (horizontal) Bevel Gear Set Screw (2)	543369	Thread Take-up Lever Link Hinge Stud Complete Nos. 543368 and 543370
504074	Feed Regulating Dial Cap Screw	543370	Thread Take-up Lever Link Hinge Stud Oil Wick (cotton)
504083	Presser Bar Guide and Pressure Regulating Thumb Screw	543371	Oil Removing Retaining Clamp
504084	Rotating Hook Bobbin Case Holder Position Bracket Screw	543416	Thread Take-up Complete Nos. 540676, 540677, 540660, 504118, 544881, 143058, 543367, 543369 and two 540662
504086	Rotating Hook Bobbin Case Tension Regulating Screw	543802-004	Bobbin Winder Spindle Thread Guard Retaining Ring
504087	Rotating Hook Bobbin Case Tension Spring Screw	543804-002	Oil Pump (centrifugal) Cover Screw Washer (4)
504094	Thread Retainer Set Screw	543814-001	Oil Pump (centrifugal) Bracket Screw Washer (3)
504095	Thread Take-up Crank Set Screw (2)	544066	Face Plate Screw (lower) (2)
504099	Arm Top Cover Screw (4)	544203-001	Bobbin Winder Tension Set Screw
504100	Presser Bar Lifting Lever Connecting Rod Joint Hinge Screw	544203-007	Feed Regulating Crank Pin Set Screw
504101	Arm Shaft (horizontal) Thrust Collar Set Screw (2)	544203-001	Feed Rock Shaft Crank Pin Set Screw
504101	Arm Shaft (upright) Bevel Gear (upper) Set Screw (2)	544203-002	Feed Bar Hinge Pin Set Screw (2)
504101	Arm Shaft (upright) Bevel Gear (lower) Set Screw (2)	544203-003	Bobbin Winder Actuating Cam Set Screw
504101	Rotating Hook Shaft Bevel Gear Set Screw (2)	544211-004	Oil Pump (centrifugal) Bracket Screw (3)
504112	Needle Set Screw	544212-002	Bobbin Winder Stop Latch Set Screw
504118	Needle Bar Connecting Link Cap Screw	544213-002	Oil Pump (centrifugal) Screw (2)
504119	Machine Pulley Set Screw (2)	544243	Bobbin Winder Bracket Screw Stud
504120	Needle Bar Crank Position Screw	544244	Rotating Hook Screw (2)
504129	Needle Bar Bushing (upper) Set Screw	544246	Rotating Hook Oil Flow Regulating Thumb Screw
504129	Needle Bar Bushing (lower) Set Screw	544248	Oil Pump (centrifugal) Cover Screw (4)
504129	Presser Bar Bushing (lower) Set Screw	544249	Presser Bar Lifting Lever Hinge Screw
504134	Rotating Hook Shaft Oil Retaining Collar Set Screw (2)	544315	Oil Removing Piston Spring Screw
504145	Oil Removing Tube Retaining Clamp Screw	544745	Rotating Hook Bobbin Case Complete Nos. 544746, 410026, 410027 and 505356
504159-452	Tension Thread Retainer Screw	544746	Rotating Hook Bobbin Case with 540767, 504086 and 504087
504509	Presser Bar Lifting Lever Connecting Rod Nut	544782	Arm Hole Plug (small) (2)
505001	Arm Dowel Pin (2)	544782	Face Plate Plug (small)
505151	Tension Releasing Lever Hinge Pin	544851	Bobbin Winder with 544857
505152	Tension Releasing Lever Spring	544857	Bobbin Winder Pulley Ring (rubber)
505317-452	Bed Slide Complete Nos 12431-452, 154884 and two 154789	544859	Bobbin Winder Actuating Cam with 544203-003
505356	Rotating Hook Bobbin Case Latch Spring	544862	Bobbin Winder Actuating Cam Stud
505387	Presser Bar Lifting Lever Connecting Rod Joint	544863	Bobbin Winder Stop Latch with 544212-002
505575	Presser Bar Spring	544865	Bobbin Winder Spring
505633	Feed Lifting Rock Shaft Crank (front) Slide Block and Stud	544866	Bobbin Winder Stopper
505643	Presser Foot (spring hinged) complete	544873-451	Thread Take-up Lever Guard
505647	Rotating Hook Shaft Oil Filter Wick Holder	544875	Face Plate Plug (large)
505648	Rotating Hook Shaft Oil Filter Complete Nos. 143042 and 505647	544881	Needle Bar Connecting Stud with 549380
		544886	Arm Hole Plug (large)

NUMERICAL LIST OF PARTS FOR MACHINE 220U2

PART NO.	DESCRIPTION	PART NO.	DESCRIPTION
544888-003	Arm Top Cover and Bobbin Winder Complete Nos. 544889-003, 544851, 544859, 544862, 544863, 544243, 544865, 544866, 542354, 409213, 410744 and 543802-004	545313	Feed and Feed Lifting Eccentric Set Screw (2)
544889-003	Arm Top Cover with 544891 and 545944	545313	Feed Regulator Hinge Stud Set Screw
544891	Arm Top Cover Gasket	545404-451	Tension Regulating Thumb Nut (2)
544896	Arm Shaft (horizontal) and Needle Bar Crank Complete Nos. 544897, 504120 and two 504095	545753	Arm Screw (front) Washer (2)
544897	Arm Shaft (horizontal) with two 549230	545757	Arm Shaft (horizontal) Bevel Gear with two 504066
544901	Machine Pulley with two 504119	545758	Arm Shaft (horizontal) Bushing (center)
544903	Feed and Feed Lifting Eccentric with two 545313	545762	Arm Shaft (horizontal) Thrust Collar with two 504101
544905	Arm Shaft (upright) Complete Nos. 544906 and 545764	545764	Arm Shaft (upright) Bevel Gear (lower) Right Hand Spiral with two 504101
544906	Arm Shaft (upright)	545765	Arm Shaft (upright) Bevel Gear (upper) Left Hand Spiral with two 504101
544908	Feed Regulating Crank	545766	Arm Shaft (upright) Bushing (lower)
544909	Feed Regulating Crank Pin	545767	Arm Shaft (upright) Bushing (upper)
544910	Feed Rock Shaft Crank Pin	545775	Bed Hole Plug
544911	Feed Regulator and Feed Rock Shaft Crank Connecting Rod Complete Nos. 544912, 544914, 154981, 544915, 544916 and 544917	545776	Bed Leg (long)
544912	Feed Rock Shaft Crank Connecting Rod with 544203-007	545777	Bed Leg (shaft) (3)
544914	Feed Connecting Link Screw Stud	545799	Feed Lifting Rock Shaft Crank (back) Connecting Rod Hinge Stud
544915	Feed Connecting Link	545806	Feed Lifting Rock Shaft Collar with two 504007 (2)
544916	Feed Connecting Link Stud	545807	Feed Lifting Rock Shaft Crank (back) with two 549183
544917	Feed Regulator with 545136	545812	Feed Lifting Rock Shaft Crank (back) Connecting Rod with two 545059
544919	Feed Rock Shaft Crank with 544203-001 and 549183	545817	Feed Regulating Stud O-ring
544921	Feed Regulator Hinge Stud with 544923	545820	Feed Regulating Dial Lock Pin Spring
544923	Feed Regulator Hinge Stud O-ring	545825	Feed Reverse Lever Hinge Stud O-ring
544924	Feed Bar Complete Nos. 544925, 544926 and 544928	545836	Feed Rock Shaft Flanged Bushing (front)
544925	Feed Bar	545837	Feed Rock Shaft Collar with two 504007
544926	Feed Bar Carrier with 549028 and two 544203-002	545841	Needle Bar Bushing (upper)
544928	Feed Bar Hinge Pin	545868	Presser Bar Lifter
544931	Feed Rock Shaft	545872	Presser Bar Lifting Lever Connecting Rod Oil Mist Retaining Disc (felt)
544933	Feed Lifting Rock Shaft	545881	Rotating Hook Bobbin Case Holder Position Bracket
544934	Feed Lifting Rock Shaft Crank (front) with 505633 and 545043	545884	Rotating Hook Shaft
544937	Feed Reverse Lever Link with 549028	545885	Rotating Hook Shaft Complete Nos. 545884 and 505648
544939	Feed Reverse Lever with 549034 and 545094	545886	Rotating Hook Shaft and Collar Nos. 545885 and 545890
544942	Feed Reverse Lever Hinge Stud with 545825	545887	Rotating Hook Shaft Bevel Gear (left hand spiral) with two 504101
544944	Feed Reverse Lever Hinge Stud Flanged Bushing	545890	Rotating Hook Shaft Oil Retaining Collar with two 504134
544945	Feed Regulating Stud with 545817	545893	Tension Releasing Disc
544946	Feed Regulating Dial	545898	Tension Stud
544947	Feed Regulating Dial Serration Plate	545901	Thread Eyelet (side of arm)
544948	Presser Bar Guide Bracket with 545099	545909	Oil Wick (cotton) (2)
544950	Tension Thread Retainer	545909	Thread Take-up Lever Oil Guard Wick (cotton)
544951	Presser Bar Lifting Lever Connecting Rod	545944	Oil Flow Window
544952	Presser Bar Lifting Lever	545949	Feed Rock Shaft Flanged Bushing (back)
544953	Rotating Hook Shaft Bushing (front) with 544964	545949	Feed Lifting Rock Shaft Flanged Bushing (2)
544956	Rotating Hook Shaft Bushing (back)	545950	Rotating Hook (body) with two 544244
544957	Rotating Hook Shaft Bushing (back) Oil Felt	545951	Rotating Hook Complete Nos. 545950, 545955, 545954, three 549187 and four 549186
544958	Rotating Hook Oil Flow Regulating Thumb Screw Spring	545954	Rotating Hook Section
544959	Oil Removing Tube with 16380	545955	Rotating Hook Thread Guard
544964	Oil Tube (rotating hook shaft) Joint	545990	Rotating Hook and Rotating Hook Bobbin Case Holder Complete Nos. 545951 and 545994
544964	Oil Tube (arm shaft) Joint	545994	Rotating Hook Bobbin Case Holder
544967	Oil Pump (centrifugal) Complete Nos. 544968, 544969, 544970, 544971, 544972, 540625 544250, 544974, three each 544211-004, 543814-001, 541164-001, four each 544248 and 543804-002	546925	Face Plate Gasket
544968	Oil Pump (centrifugal)	546927	Thread Take-up Spring Regulator with 504047
544969	Oil Pump (centrifugal) Impeller	546941	Tension Complete Nos. 32758, 540682, 545893, 545898, 546927, 540533, 540534, 540684, two each 2102 and 545404-451
544970	Oil Pump (centrifugal) Cover	547242	Bobbin Winder Tension Complete Nos. 547243, 547246, 541170 and two 547247
544971	Oil Pump (centrifugal) Screenshot	547243	Bobbin Winder Tension Stud
544972	Oil Removing Piston	547246	Bobbin Winder Tension Spring
544974	Oil Pump (centrifugal) Bracket	547247	Bobbin Winder Tension Disc (2)
544975	Thread Take-up Lever Oil Guard with 545909	549028	Feed Bar Carrier Clamping Screw
544980	Tension Releasing Lever	549028	Feed Reverse Lever Link Clamping Screw
545033	Arm Screw (back) (2)	549084	Feed Reverse Lever Set Screw
545034	Arm Screw (front) (2)	549128	Thread Eyelet (side of arm) Screw
545040	Face Plate Screw (upper)	549183	Feed Rock Shaft Crank Clamping Screw
545043	Feed Lifting Rock Shaft Crank (front) Clamping Screw	549183	Feed Lifting Rock Shaft Crank (Back) Clamping Screw (2)
545047	Feed Reverse Lever Hinge Stud Cap Screw	549186	Rotating Hook Thread Guard Screw (4)
545051	Oil Wick Holder Screw	549187	Rotating Hook Section Screw (3)
545053	Presser Bar Lifter Hinge Screw	549230	Arm Shaft (horizontal) Screw Plug (2)
545056	Feed Rock Shaft Flanged Bushing (front) Set Screw	549336	Thread Guard (side of arm) Screw
545059	Feed Lifting Rock Shaft Crank (back) Connecting Rod Cap Screw (2)	549380	Needle Bar Connecting Stud Clamping Screw
545094	Feed Reverse Lever Set Screw	549480	Needle Bar Connecting Stud Clamping Screw
545099	Presser Bar Guide Bracket Clamping Screw	CAT. 1901	Needle (135 x 7 #14)
545136	Feed Connecting Link Stud Set Screw		
545183	Feed Reverse Lever Spring Retainer Screw		

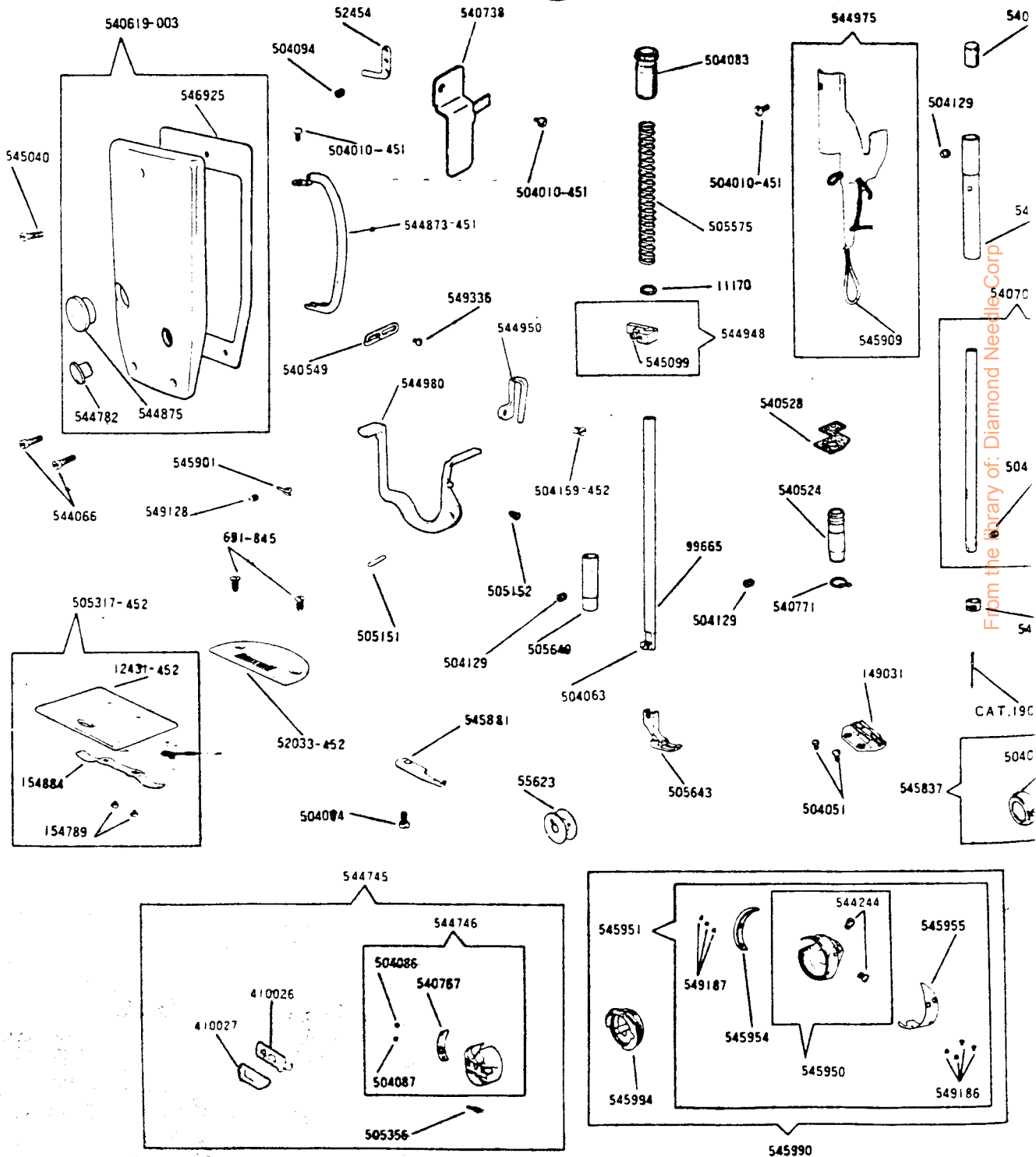
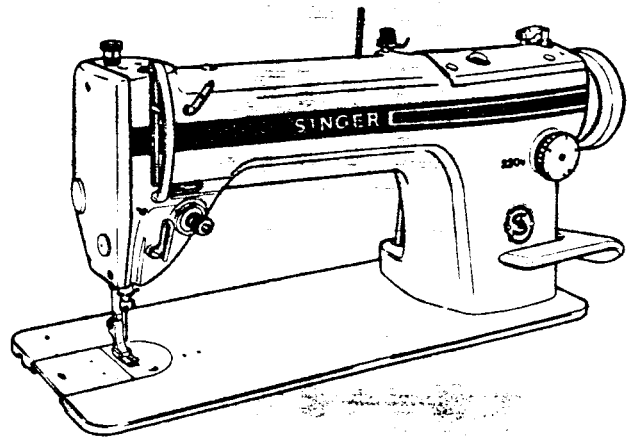
From the library of: Diamond Needle Corp

NUMERICAL LIST OF PARTS FOR MACHINE 220U2

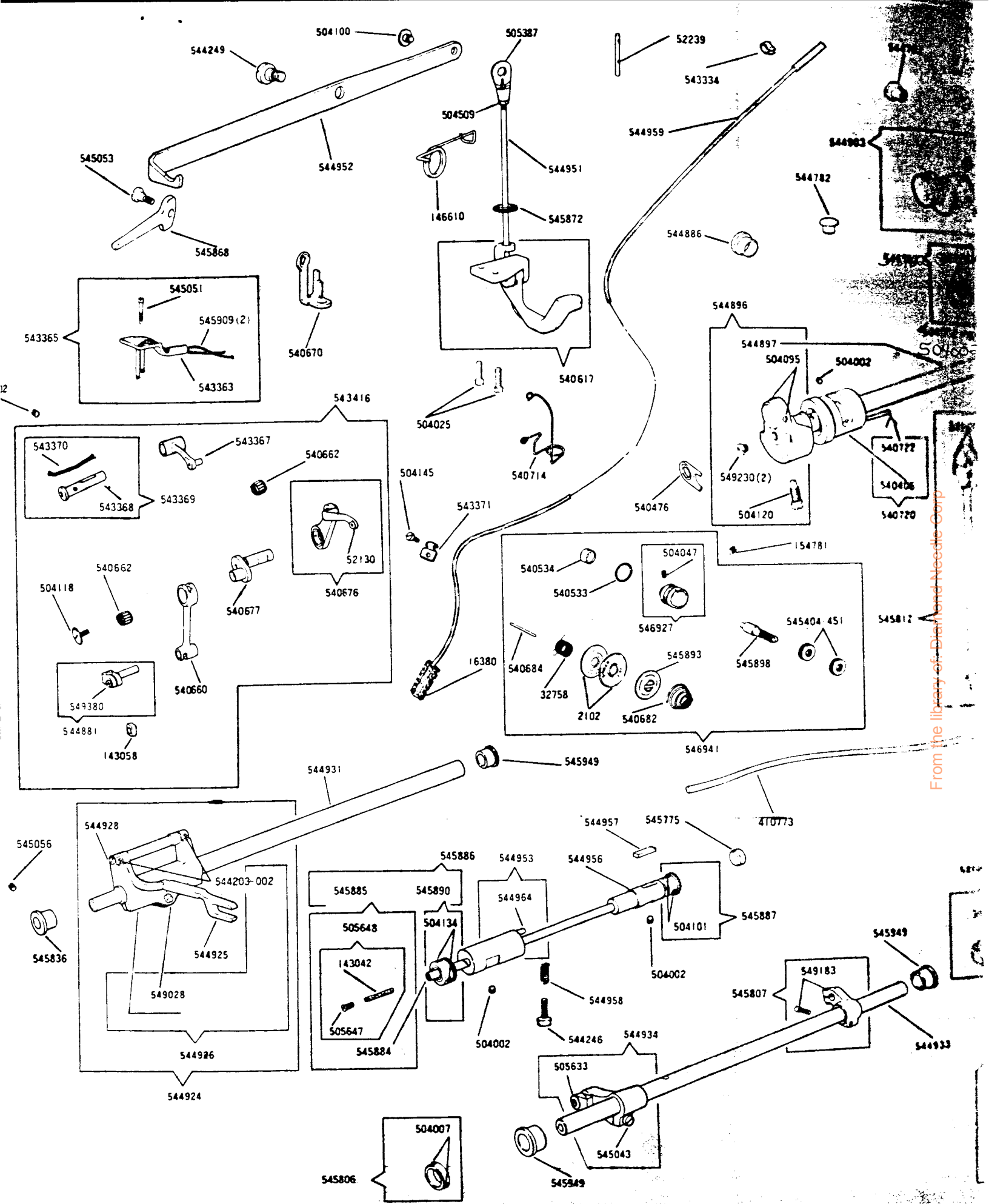
PARTS NO.	DESCRIPTION	PART NO.	DESCRIPTION
PARTS FOR 220U3 MACHINE WHICH DIFFER FROM 220U2 MACHINE		MACHINE BASE AND OIL RESERVOIR	
12481	Feed Dog for 12482-452 (for heavy material sewing)	410705	Machine Rest (rubber) Felt Complete (4)
12482-452	Throat Plate for 12481 (for heavy material sewing)	540471	Machine Base and Oil Reservoir plug (2)
125314	Tension Spring, in place of 540682	544976	Machine Base and Oil Reservoir Complete, Nos. 544977, 544978, 545036, 545754 and four 410705
540525	Needle Bar Bushing (lower), in place of 540524	544977	Machine Base and Oil Reservoir
540685	Thread Take-up Crank, in place of 540677	544978	Machine Base and Oil Reservoir Gasket (polyurethane)
540698	Needle Bar (hollow) with 504112, in place of 540702	545036	Machine Base and Oil Reservoir Oil Drain Plug Screw
543364	Oil Wick Holder, in place of 543363	545754	Machine Base and Oil Reservoir Oil Drain Plug Screw Gasket
543366	Oil Wick Holder Complete, Nos. 543364, 545051 and two 545909 in place of 543365		
543417	Thread Take-up Complete, Nos. 540685, 504118, 540660, 544881, 143058, 540676, 543367, 543369 and two 540662		
543419	Presser Foot (spring hinged) Complete	505402	KNEE LIFTER PARTS
545935	Needle Bar Bushing (lower) Thread Eyelet, in place of 540771	543823-001	Rock Shaft Knee Arm Plate
546943	Tension Complete, Nos. 32758, 125314, 545893, 540533, 540534, 545898, 540684, 546927 and two each 2102 and 545404-451, in place of 546941	544887	Rock Shaft Thrust Washer (2)
CAT. 1901	Needle (135 x 7 #16)	544895	Rock Shaft Complete, Nos. 505402, 545913, 545915, 544895, 545918, 545921, 545922 and two 543823-001
	ACCESSORIES AND ATTACHMENTS	545912	Rock Shaft Knee Arm
41400	Machine Rest Pin (wood)	545913	Bell Crank Plunger
55623	Rotating Hook Bobbin (3)	545915	Rock Shaft
504034	Cloth Guide Screw (purchased part)	545918	Rock Shaft Crank
505656-001	Thread Unwinder (for two spools) Complete (include three wood screws)(purchased assembly)	545918	Rock Shaft Knee Arm Hub
540520	Machine Base and Oil Reservoir Cushion (front) (with two wire nails) (2)	545921	Rock Shaft Spring
540521	Machine Base and Oil Reservoir Cushion (back) (with two wire nails) (2)	545922	Rock Shaft Stop Dog
540522	Machine Hinge Connection (2)		
540523	Machine Hinge Connection Cushion (2)		
541513	Screw Driver (large)	52032-452	AVAILABLE AT EXTRA CHARGE
541514	Screw Driver (small)	142060-452	Throat Plate (large needle hole) for 149031
541515-001	Cloth Guide (purchased part)	142061-452	Throat Plate (small needle hole) for 149057
545927	Oil Can (950cc, filled with Singer Type "C" Oil)	149057	Throat Plate (large needle hole) for 149057, in place of 52033-452
548701	Screw Driver (long)	540796	Feed Dog, 21 teeth (22 teeth per inch), in place of 149031
CAT. 1901	Needle (135 x 7 #14) (for 191D200A) (3)	544877-452	Needle Guard
CAT. 1901	Needle (135 x 7 #16) (for 191D300A) (3)		Belt Guard Complete (include two wood screws)

SINGER*

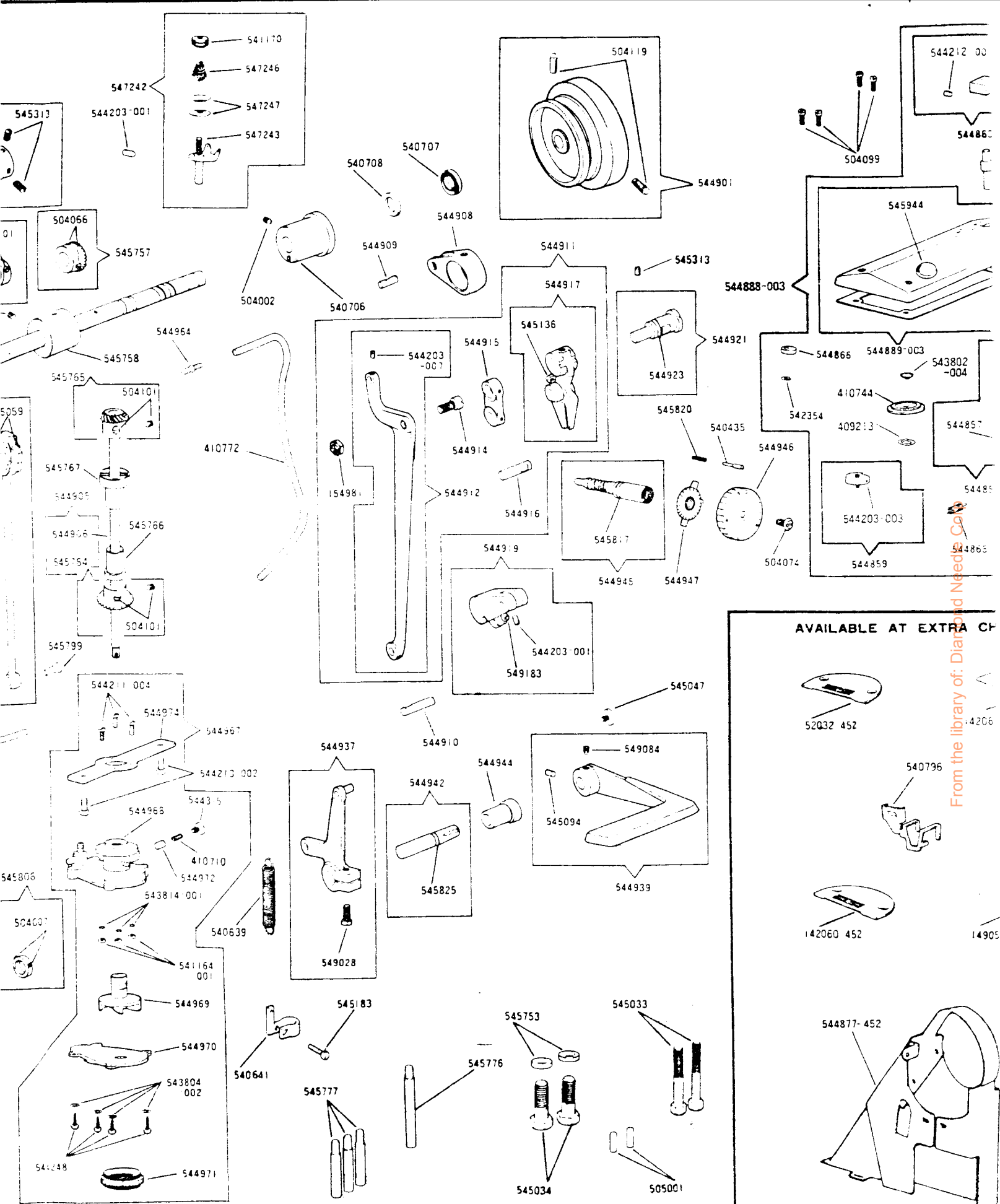
220 U2



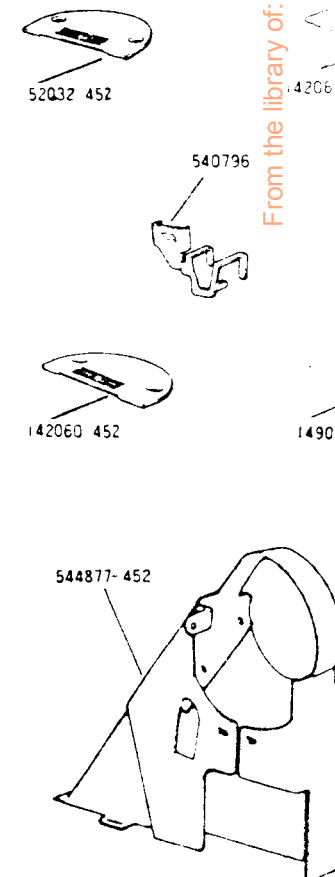
From the library of: Diamond Needle Corp



From the library of: Dierfeld Needle Corp.

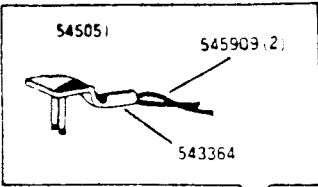


AVAILABLE AT EXTRA CHARGE

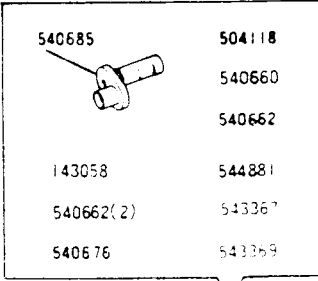


From the library of: Diabond Needs Co.

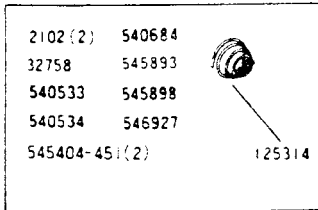
PARTS FOR 220U3 MACHINE WHICH DIFFER FROM 220U2 MACHINE



543366



543417



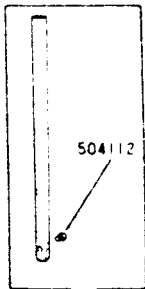
546943

540525

545935

12482-452

543419

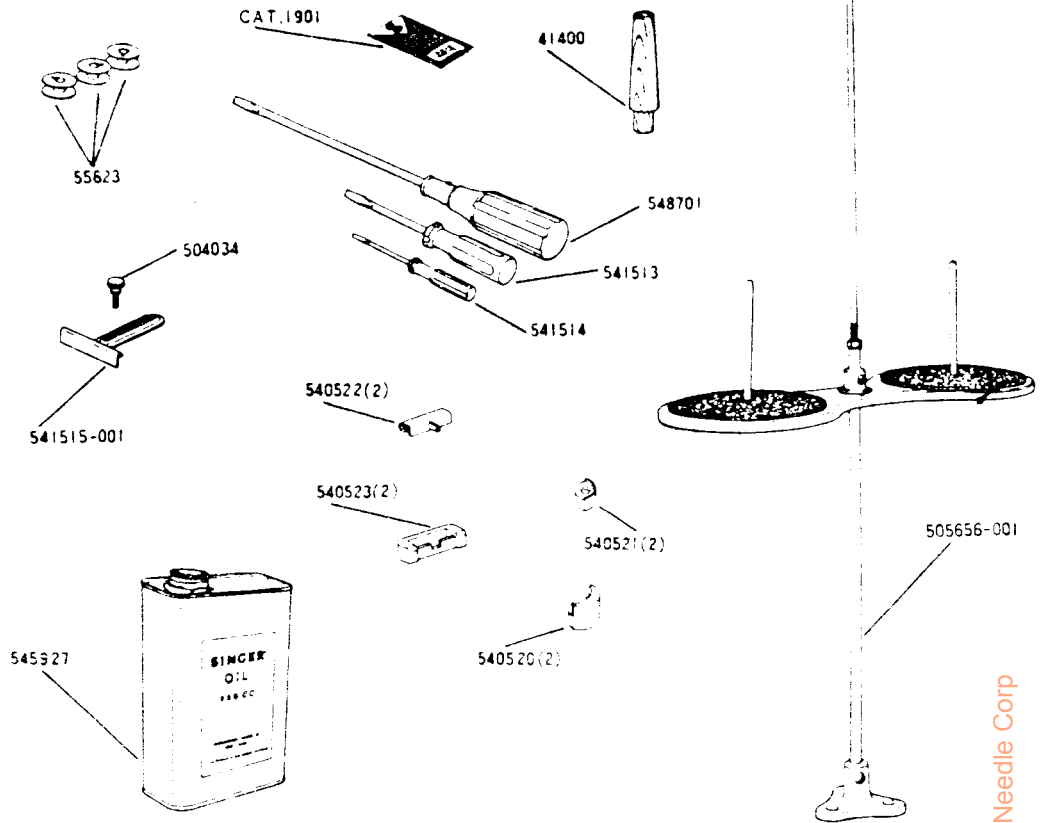


540698

CAT. 1901

12481

ACCESSORIES AND ATTACHMENTS



CAT. 1901

41400

55623

548701

541513

541514

540522(2)

540523(2)

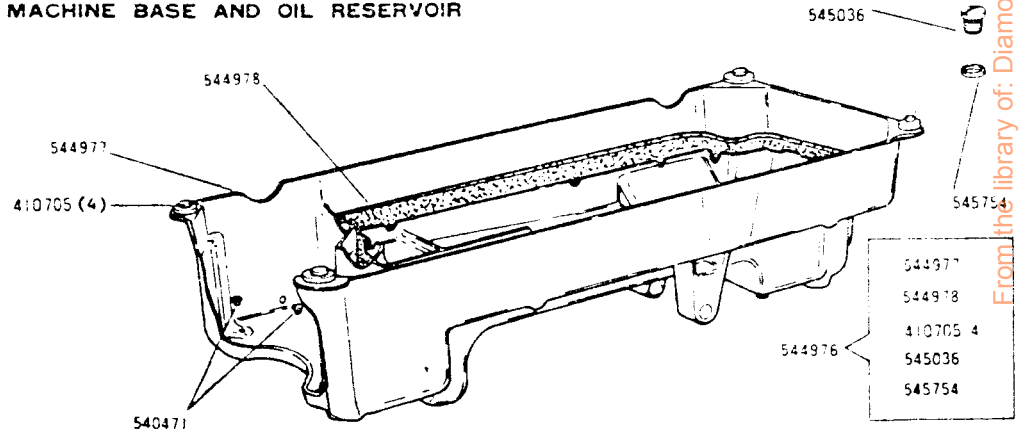
540521(2)

540520(2)

545927

505656-001

MACHINE BASE AND OIL RESERVOIR



545036

544978

544977

410705 (4)

540471

545754

544976

544977

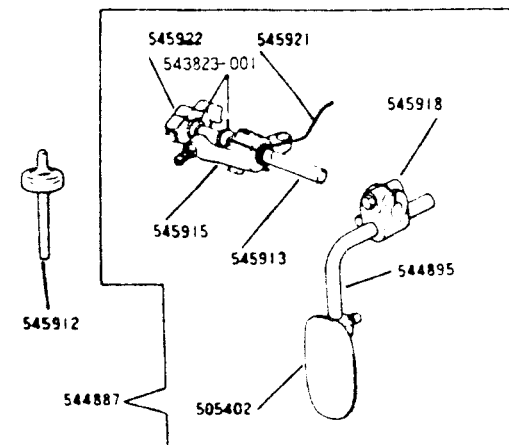
544978

410705 4

545036

545754

KNEE LIFTER PARTS



545922

545921

543823-001

545918

545915

545913

544895

545912

544887

505402

From the library of: Diamond Needle Corp